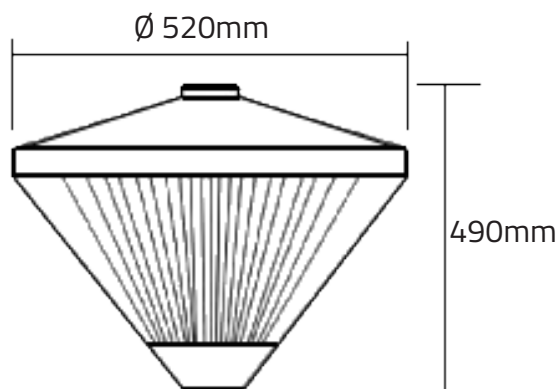


LED Post Top Fixture

Key Features

- ✓ IP65 Tested
- ✓ AC100 - 240V
- ✓ High Quality Aluminium and Acrylic Construction
- ✓ 50,000 Hours Lifespan

IP65 SMD



Product Code	Description	Power (Watt)	Lumen Output	Efficacy (lm/W)	CCT / Colors Available	Order Code	SABS Tested
ME-PTF-40W	40W SMD Post Top Fixture	40	4000	100	3000K, 4000K, 5000K, 6000K	PTF40<COLOR>NT	N
ME-PTF-50W	50W SMD Post Top Fixture	50	5000	100	3000K, 4000K, 5000K, 6000K	PTF50<COLOR>NT	N

Order Information

PTF	50	6000	NT
Type	Watt	Color	Variation

Available Colours: 6000.
e.g. 50W SMD Post Top Fixture 6000K -
PTF50**6000**NT